

THIS DRAWING AND THE DATA DISCLOSED HEREIN OR HEREWITH IS NOT TO BE REPRODUCED USED OR DISCLOSED IN WHOLE OR IN PART TO ANYONE WITHOUT THE PERMISSION OF JESS-LINK PRODUCTS CO.,LTD.(JPC)

CUSTOMER DRAWING  
DRWC-000951

REV.	ECN NO.	DESCRIPTION	MDF'D	APP'D	DATE
01		INITIAL DESIGN	Colin	Andrew	07/05/2023

A

B

C

D

E

F

A

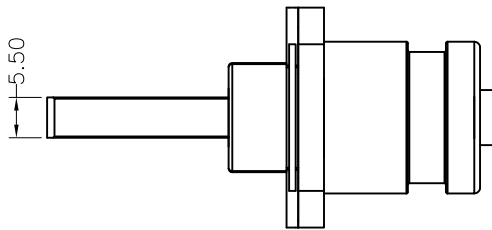
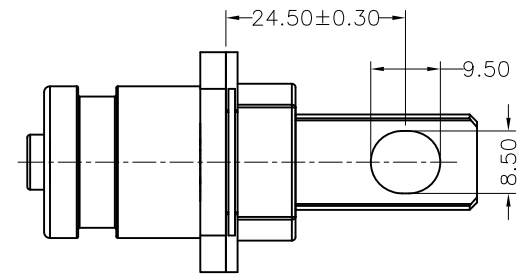
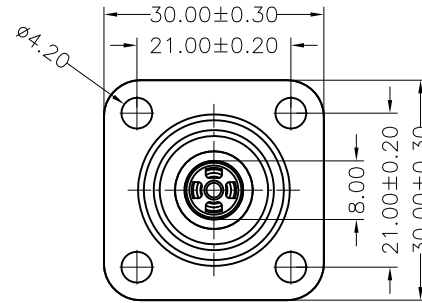
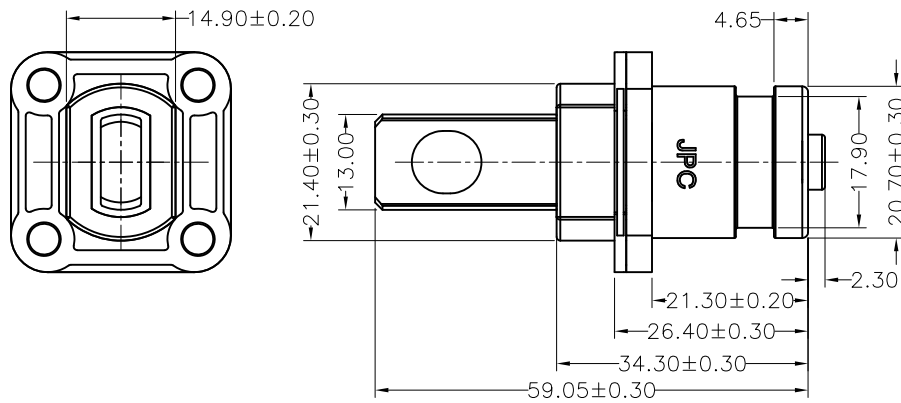
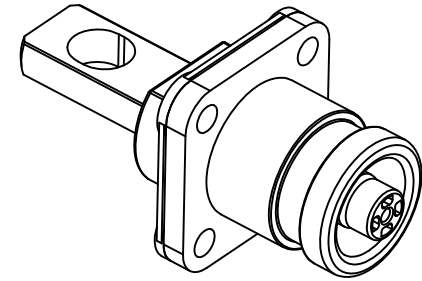
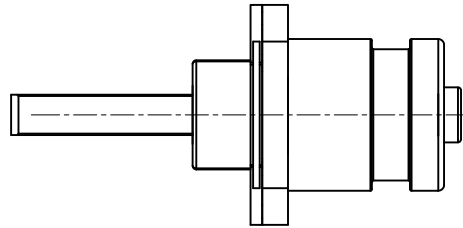
B

C

D

E

F



NOTE:

- 1.工作溫度 Operating temperature: -40~125°C;
- 2.額定電流 Current rating: Power: 200A;
- 3.額定電壓 Operating voltage: Power 1500VDC;
- 4.耐電壓 Dielectric withstanding voltage: 3000 VDC;
- 5.機械壽命 Mating cycle: 500.
- 6.帶二次鎖扣 Secondary lock.

PART NO.	BODY COLOR
PCNBC001RC78-0	ORANGE
PCNBC004RC78-0	BLACK

<b>RoHS COMPLIANT</b> <b>HALOGEN FREE</b>	Unit : mm	PROJECTION 	<b>ZCables.com</b>			
	GENERAL TOLERANCES: (UNLESS SPECIFIED)	D.R. Colin			TITLE PSL-200A 插座 (Customer drawing)	PD./FILE NO. C19C0009A
	0 = ±.50	CH.K	SCALE	SIZE	PART NO.	REV.
	0.0 = ±.25	APV.D	1:1	A4	PCNBC001RC78-0	01
0.00 = ±.15						SHEET
0.000 = ±.05						1 OF 1
0° = ± 2'						
0.0° = ± 1'						

1 2 3 4 5 6 7 8