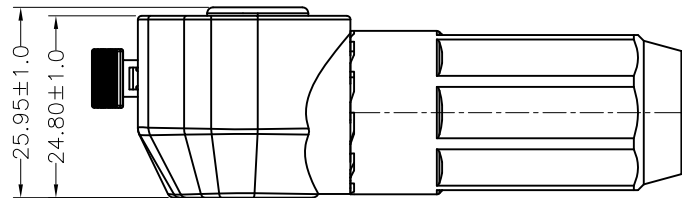
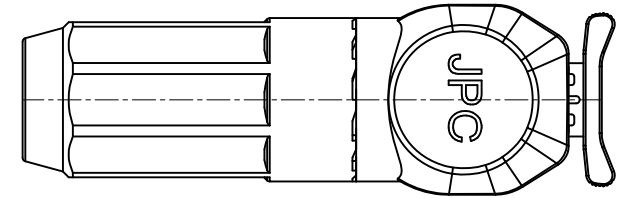
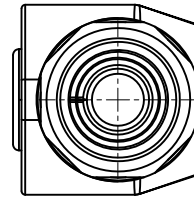
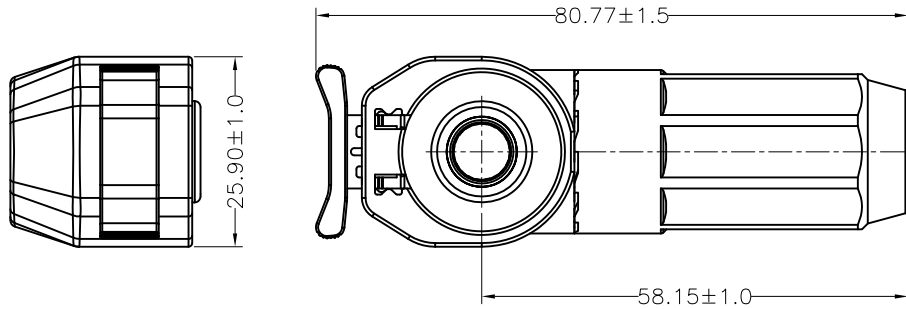
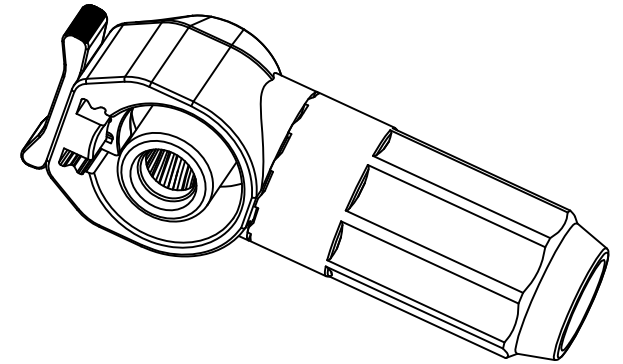
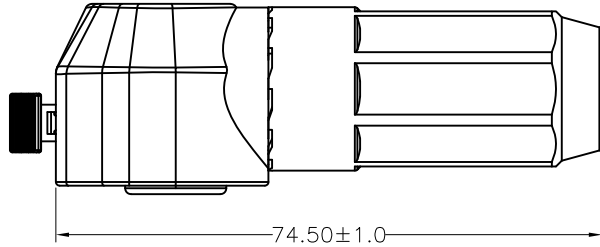


THIS DRAWING AND THE DATA DISCLOSED HEREIN OR HEREWITH IS NOT TO BE REPRODUCED USED OR DISCLOSED IN WHOLE OR IN PART TO ANYONE WITHOUT THE PERMISSION OF JESS-LINK PRODUCTS CO.,LTD.(JPC)

CUSTOMER DRAWING

DRWC-000952

REV.	ECN NO.	DESCRIPTION	MDF'D	APP'D	DATE
01		INITIAL DESIGN	Colin	Andrew	07/05/2023



NOTE:

- 1.工作溫度 Operating temperature: $-40 \sim 125^{\circ}\text{C}$;
- 2.額定電流 Current rating: Power: 150-200A;
- 3.額定電壓 Operating voltage: Power 1500VDC;
- 4.耐電壓 Dielectric withstanding voltage: 3000 VDC;
- 5.機械壽命 Mating cycle: 500.
- 6.帶二次鎖扣 Secondary lock.
7. Cable Size: 35mm²/50mm²

PART NO.	CABLE Size(mm ²)	Current (A)	BODY COLOR
PCNBC002RC78-0	50(mm ²)	200	ORANGE
PCNBC005RC78-0	50(mm ²)	200	BLACK
PCNBC003RC78-0	35(mm ²)	150	ORANGE
PCNBC006RC78-0	35(mm ²)	150	BLACK

RoHS COMPLIANT	HALOGEN FREE	Unit : mm	PROJECTION 	ZCables.com			
		GENERAL TOLERANCES: (UNLESS SPECIFIED)	D.R. Colin			TITLE PSL-200A 插頭 (Customer drawing)	PD./FILE NO. C19C0010A
		0 = ±.50 0.0 = ±.25 0.00 = ±.15 0.000 = ±.05 0° = ± 2' 0.0° = ± 1'	CH.K	SCALE 1:1	SIZE A4	PART NO. PCNBC002RC78-0	REV. 01
			APV.D			SHEET 1 OF 1	