

THIS DRAWING AND THE DATA DISCLOSED HEREIN OR HEREWITH IS NOT TO BE REPRODUCED USED OR DISCLOSED IN WHOLE OR IN PART TO ANYONE WITHOUT THE PERMISSION OF JESS-LINK PRODUCTS CO.,LTD.(JPC)

CUSTOMER DRAWING
DRWC-XXXXXX

REV.	ECN NO.	DESCRIPTION	MDF'D	APP'D	DATE
01		INITIAL DESIGN	Philip	Richard	11/03/2023
02					
03					

Snap latch assembly model name description :

R - M A 1 - G - 6 P 3 2 - 2 0 0 7 - G

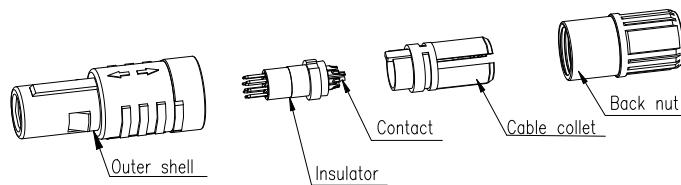
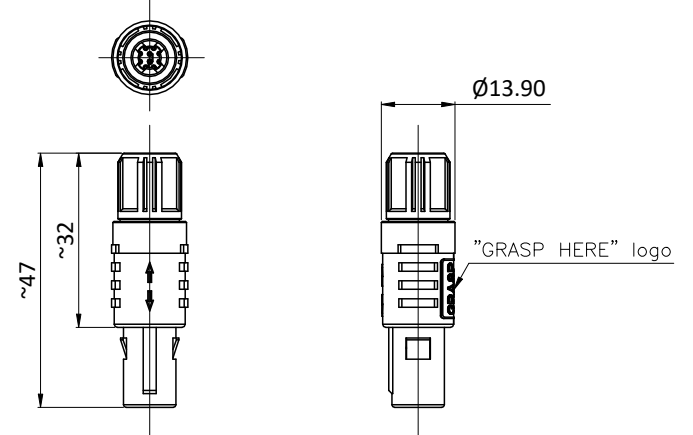
- 1 Bonded _____
- 2 medical _____
- 3 Style A1=PA (Straight Plug with cable collet .)
-----Solder termination _____
- 4 Outer shell material **G=Grey psu**
B=Black psu
M=White psu
F=Black pei
P=Grey pei
- 5 Back nut material 0=Black
1=White
2=Red
4=Yellow
5=Green
6=Blue
8=Grey
- 6 Insulator **P=Peek**
- 7 Contact diameter 1=1.3mm (only for 2;3 pin)
2=0.9mm (only for 4;5 pin)
3=0.7mm (only for 6;7;8 pin)
4=0.5mm (only for 9;10;12;14 pin)
- 8 Contact plating 1=Gold plated 1u"
2=Gold plated 20u"
- 9 Cable collet 1=Ø3.9mm (cableØ=2.7~3.9mm)
2=Ø5.2mm (cableØ=4.0~5.2mm)
3=Ø6.5mm (cableØ=5.3~6.5mm)
- 10 Coding **O= 0°**
A= 40°
C= 60°
E= 80°
H= 170°
S= 190°
J= 205°
- 11 Number of contacts 02= 2 Pin
03= 3 Pin
04= 4 Pin
05= 5 Pin
06= 6 Pin
07= 7 Pin
08= 8 Pin
09= 9 Pin
10= 10 Pin
12= 12 Pin
14= 14 Pin

Positions	View from termination side
2 Pin	
3 Pin	
4 Pin	
5 Pin	
6 Pin	
7 Pin	
8 Pin	
9 Pin	
10 Pin	
12 Pin	
14 Pin	

Notes:

- Material
 - Outer shell: **psu**/pei.
 - Insulator: peek.
 - Contact: cooper alloy.
 - Cable collet: **psu**/pei.
 - Back nut: **psu**/pei.
- Mechanical characteristics
 - Endurance: 300 mating cycles or 2000 mating cycles.
 - Insertion force: 19.6 N Max.
 - Pull-out force: 19.6 N Max.
 - Retention force: 90N Min.
- Electrical specifications
 - Insulation resistance: 1000GΩ
- Characteristics
 - Temperature range: **Psu shell: -50~+150°C**
Pei shell: -50~+170°C.
 - Protection index: IP 50.
 - Humidity: 60°C at 95% HR comply with EIA-364-31.
- Number of contact: 2 to 14 position.
- All dimensions are in millimeters.
- RoHS directive compliance.

Characteristics	2Pin	3Pin	4Pin	5Pin	6Pin	7Pin	8Pin	9Pin	10Pin	12Pin	14Pin
Contact resistance / mΩ max	3.5	3.5	4.5	4.5	6.5	6.5	6.5	8.5	8.5	8.5	8.5
Dielectric withstanding volt /kV ac rms	1.2	1.2	1.2	1.05	1.05	1.05	1.05	0.85	0.85	0.75	0.6
Current rating /A per pin	10	10	8	7	6	5	5	3	3	2.5	2



RoHS COMPLIANT	Unit:mm(inch)	PROJECTION	ZCables.com		PD./FILE NO.
	GENERAL TOLERANCES: (UNLESS SPECIFIED): 0 =±1 (0.039) 0.0 =±.5 (0.02) 0.00 =±.3 (0.012) 0.000=±.15(0.006) 0° =± 2' 0.0° =± 1'	D.R. 11/03/2023 Philip	TITLE 1P Plastic Series, Blue, 7 Pin, Plug, Male Contact, Straight, Solder, Snap Latch, IP50(Mating) Connector		
	CH.K 11/03/2023 Philip	SCALE 1:1	SIZE A4	PART NO. PZACF1PX14071	REV. 01
	APV.D 11/03/2023 Richard			SHEET 1 OF 1	