

THIS DRAWING AND THE DATA DISCLOSED HEREIN OR HEREWITH IS NOT TO BE REPRODUCED USED OR DISCLOSED IN WHOLE OR IN PART TO ANYONE WITHOUT THE PERMISSION OF JESS-LINK PRODUCTS CO.,LTD.(JPC)

CUSTOMER DRAWING
DRWC-XXXXXX

REV.	ECN NO.	DESCRIPTION	MDF'D	APP'D	DATE
01		INITIAL DESIGN	Philip	Richard	11/02/2023
02					
03					

Snap latch assembly model name description :

R - M B 1 - G - 6 P 3 2 - 0 0 0 7 - G

- 1 Bonded _____
- 2 Medical _____
- 3 Style B1=PK (Receptacle with two nuts)
(back panel mounting)
-----solder termination
- 4 Outer shell material **G=Grey PSU**
B=Black PSU
M=White PSU
F=Black PEI
P=Grey PEI
- 5 Front nut material 0=Black
1=White
2=Red
4= Yellow
5=Green
6=Blue
8=Grey
- 6 Insulator **P=PEEK**
- 7 Contact diameter 1=1.3mm (only for 2;3 pin)
2=0.9mm (only for 4;5 pin)
3=0.7mm (only for 6;7;8 pin)
4=0.5mm (only for 9;10;12;14 pin)
- 8 Contact plating 1= Gold plated 1u"
2= Gold plated 20u"
3= Gold plated 30u"
- 9 Cable collet **0= No cable collet**
- 10 Coding **0= 0'**
A= 40'
C= 60'
E= 80'
H= 170'
S= 190'
J= 205'
- 11 Number of contacts 02=2 Pin
03=3 Pin
04=4 Pin
05=5 Pin
06=6 Pin
07=7 Pin
08=8 Pin
09=9 Pin
10=10 Pin
12=12 Pin
14=14 Pin

Positions	View from termination side	Pin part
2 Pin		
3 Pin		
4 Pin		
5 Pin		
6 Pin		
7 Pin		
8 Pin		
9 Pin		
10 Pin		
12 Pin		
14 Pin		

Notes:

1.Material

Outer shell : **PSU**/PEI
Insulator : PEEK
Contact : copper alloy
Hex nut : copper alloy
Front nut : **PSU**/PEI

2.Mechanical characteristics

Endurance: 50 mating cycles or 2000 mating cycles
Insertion force: 19.6 N Max
Pull-out force: 19.6 N Max
Retention force : 90N Min.

3.Electrical specifications

Insulation resistance: 1000GΩ

Characteristics	2Pin	3Pin	4Pin	5Pin	6Pin	7Pin	8Pin	9Pin	10Pin	12Pin	14Pin
Contact resistance / mΩ max	3.5	3.5	4.5	4.5	6.5	6.5	6.5	8.5	8.5	8.5	8.5
Dielectric withstanding volt /kV ac rms	1.2	1.2	1.2	1.05	1.05	1.05	1.05	0.85	0.85	0.75	0.6
Current rating /A per pin	10	10	8	7	6	5	5	3	3	2.5	2

4.Characteristics

Temperature range: **PSU shell: -50~+150°C**
PEI shell : -50~+170°C

Protection index: IP 50

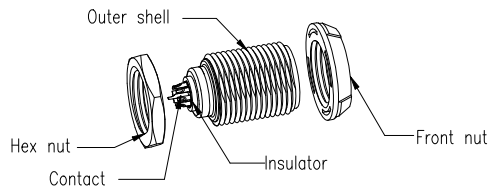
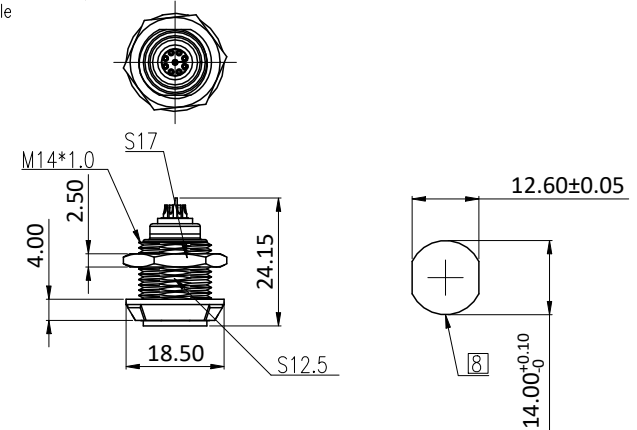
Humidity: 60°C at 95% HR comply with EIA-364-31

5.Number of contact: 2 to 14 position

6.All dimensions are in millimeters.

7.RoHS directive compliance

8]Panel hole



RoHS COMPLIANT	Unit:mm(inch)	PROJECTION	ZCables.com		PD./FILE NO.	
	GENERAL TOLERANCES: (UNLESS SPECIFIED)					
	0 =±1 (0.039)	D.R. 11/02/2023	TITLE	1P Plastic Series , Blue , 7 Pin , Receptacle , Female Contact , Fixed Socket , Solder , Snap Latch , IP50(Mating) Connector		
	0.0 =±1.5 (0.02)	Philip	CH.K 11/02/2023			
0.00 =±.3 (0.012)	Philip	APV.D 11/02/2023	SCALE	SIZE	PART NO.	REV. 01
0 =± 2'	Richard	1:1	A4	PZACF1PXD19071	SHEET 1 OF 1	
0.0 =± 1'						