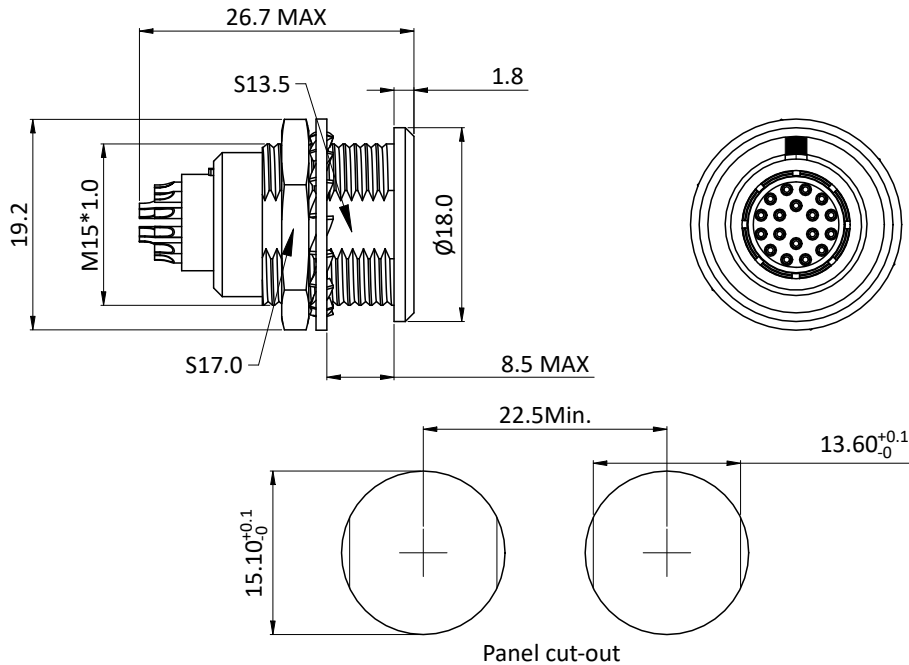


THIS DRAWING AND THE DATA DISCLOSED HEREIN OR HEREWITH IS NOT TO BE REPRODUCED USED OR DISCLOSED IN WHOLE OR IN PART TO ANYONE WITHOUT THE PERMISSION OF JESS-LINK PRODUCTS CO.,LTD.(JPC)

CUSTOMER DRAWING
DRWC-XXXXXX

REV.	ECN NO.	DESCRIPTION	MDF'D	APP'D	DATE
01		INITIAL DESIGN	Philip	Richard	11/06/2023
02					
03					



7. Part No: R - F 2 B R 1 0 0 4 0 0 0 0 0

Contact POS.
02-32=2PIN-32PIN

Shell material
0=Brass

Code	Contact type
2	Male solder contact
4	Female solder contact

Code	Key angles
0	0°
A	30°
B	60°
..	..

Note:

- Material and finish
Outer shell: Copper alloy, Cr plating
Contact: Copper alloy, Gold plating over Ni
Insulator: PEEK UL94 V-1
Other parts: Copper alloy, Ni plating
- Mechanical characteristics
Insertion Force: 34.3N MAX.
Extraction Force: 34.3N MAX.
Back nut torque: 2.5 N·m MAX.
Endurance: 5000 mating cycles
Vibration: 10-2000Hz, 15g comply with EIA-364-28
Shock: 100g amplitude, half sine pulse of 6ms, no discontinuity > 1us EIA-364-27
- Electrical specifications
Contact resistance: 8.7 mOhm MAX.
After 5000 Cycles: 10 mOhm MAX.
Insulation resistance: >100 Mohm
Rated current: 2PIN 25.0A (Per Pin) 3PIN 17.0A (Per Pin)
4PIN 15.0A (Per Pin) 5PIN 14.0A (Per Pin)
6PIN 12.0A (Per Pin) 7PIN 11.0A (Per Pin)
8PIN 10.0A (Per Pin) 10PIN 8.0A (Per Pin)
12PIN 7.0A (Per Pin) 14PIN 6.5A (Per Pin)
16PIN 6.0A (Per Pin) 18PIN 5.5A (Per Pin)
19PIN 5.0A (Per Pin) 26PIN 2.0A (Per Pin)
32PIN 1.5A (Per Pin)
- Characteristics
Waterproof level: IP50 (Mating)
Operating temperature: -55°C ~ + 250°C
Corrosion resistance: 144 H salt mist, 5 % salt solution, 35°C
Humidity: 21 days at 95% RH
- Max Wire Size (AWG) : #16 for 2pin #18 for 3pin
#20 for 4~7pin #22 for 8&10pin
#24 for 12~19pin #28 for 26&32pin
- RoHS compliance

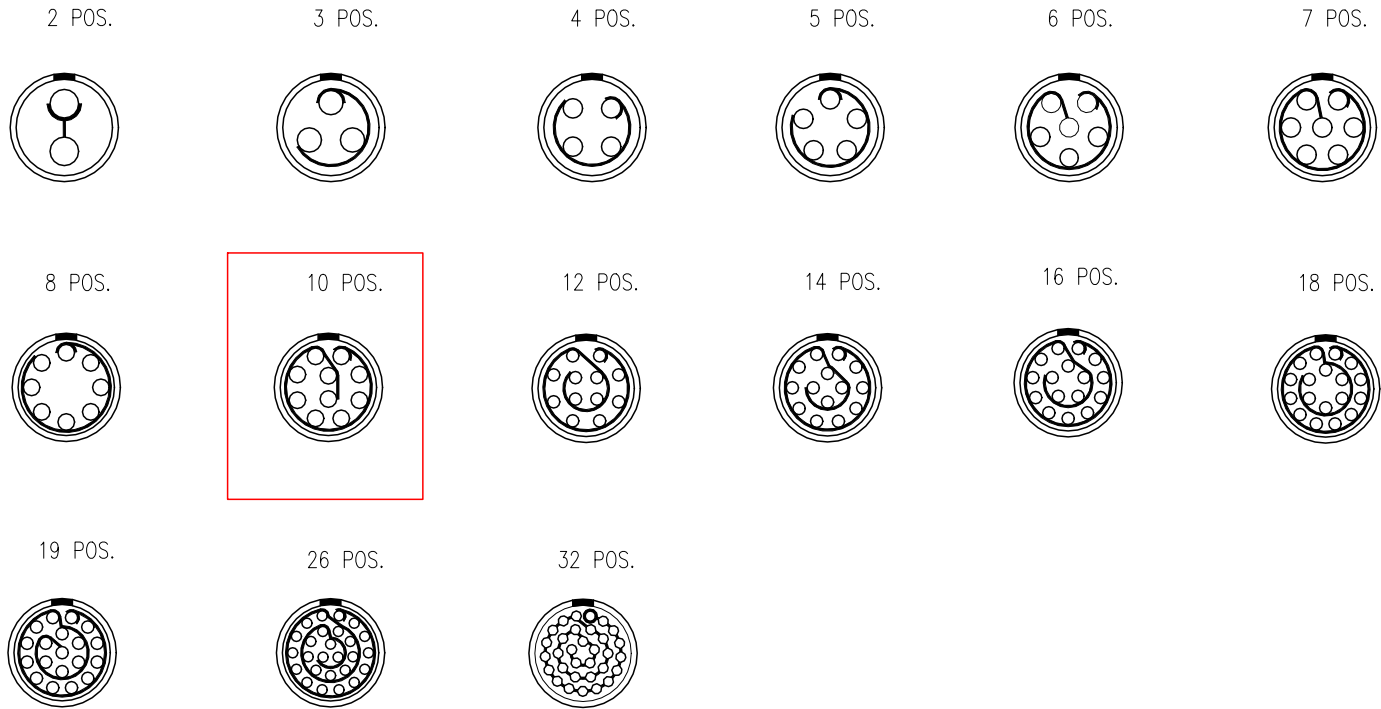
RoHS COMPLIANT	Unit:mm(inch)	PROJECTION	ZCables.com		PD./FILE NO.
	GENERAL TOLERANCES: (UNLESS SPECIFIED)	D.R. 11/06/2023	TITLE		REV. 01
	0 =±1 (0.039)	Philip	2B Metal Series, 10 Pin, Receptacle, Female Contact, Fixed Socket, Solder, Snap Latch, IP50(Mating) Connector		
	0.0 =±.5 (0.02)	CH.K 11/06/2023	SCALE	SIZE	PART NO.
0.00 =±.3 (0.012)	Philip	1:1	A4	PZACF2BXD12101	SHEET 1 OF 3
0.000=±.15(0.006)	APV.D 11/06/2023				
0° =± 2'	Richard				
0.0° =± 1'					

THIS DRAWING AND THE DATA DISCLOSED HEREIN OR HEREWITH IS NOT TO BE REPRODUCED USED OR DISCLOSED IN WHOLE OR IN PART TO ANYONE WITHOUT THE PERMISSION OF JESS-LINK PRODUCTS CO.,LTD.(JPC)

CUSTOMER DRAWING
DRWC-XXXXXX

REV.	ECN NO.	DESCRIPTION	MDF'D	APP'D	DATE
01		INITIAL DESIGN	Philip	Richard	11/06/2023
02					
03					

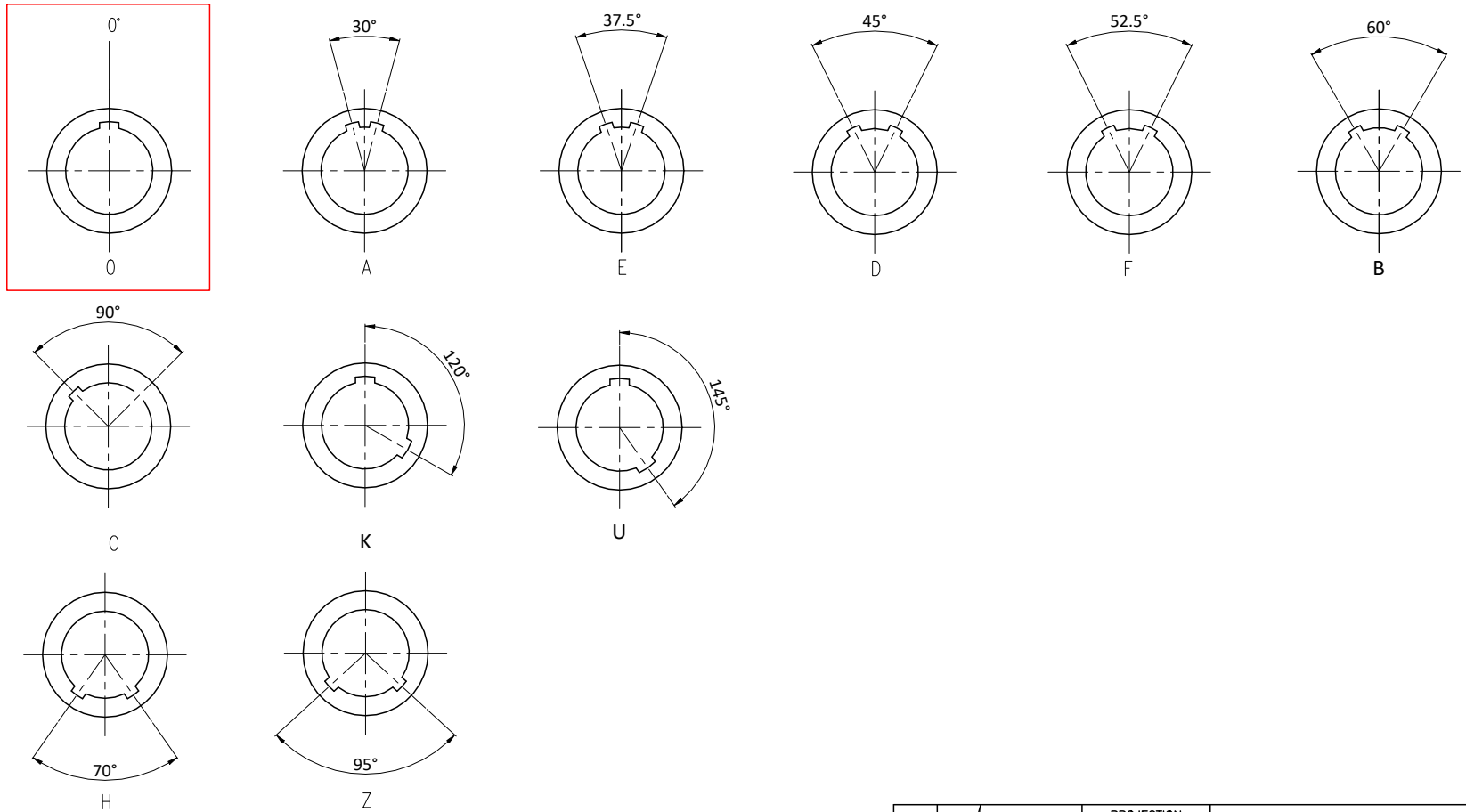
View from termination side pin part



RoHS COMPLIANT	Unit:mm(inch)	PROJECTION 	ZCables.com	
	GENERAL TOLERANCES: (UNLESS SPECIFIED) 0 =±1 (0.039) 0.0 =±.5 (0.02) 0.00 =±.3 (0.012) 0.000=±.15(0.006) 0° =± 2° 0.0° =± 1°			
	D.R. 11/06/2023 Philip	TITLE 2B Metal Series, 10 Pin, Receptacle, Female Contact, Fixed Socket, Solder, Snap Latch, IP50(Mating) Connector		REV. 01
	CH.K 11/06/2023 Philip	APV.D 11/06/2023 Richard	SCALE 1:1 SIZE A4	PART NO. PZACF2BXD12101 SHEET 2 OF 3

		THIS DRAWING AND THE DATA DISCLOSED HEREIN OR HEREWITH IS NOT TO BE REPRODUCED USED OR DISCLOSED IN WHOLE OR IN PART TO ANYONE WITHOUT THE PERMISSION OF JESS-LINK PRODUCTS CO.,LTD.(JPC)			CUSTOMER DRAWING DRWC-XXXXXX			REV.	ECN NO.	DESCRIPTION	MDF'D	APP'D	DATE
								01		INITIAL DESIGN	Philip	Richard	11/06/2023
								02					
								03					

Key angles (receptacle front view) :



RoHS COMPLIANT	Unit:mm(inch)	PROJECTION 	ZCables.com	
	GENERAL TOLERANCES: (UNLESS SPECIFIED) 0 =±1 (0.039) 0.0 =±.5 (0.02) 0.00 =±.3 (0.012) 0.000=±.15(0.006) 0° =± 2° 0.0° =± 1°	D.R. 11/06/2023 Philip CH.K 11/06/2023 Philip APV.D 11/06/2023 Richard		
	SCALE	SIZE	PART NO.	REV. 01
	1:1	A4	PZACF2BXD12101	SHEET 3 OF 3