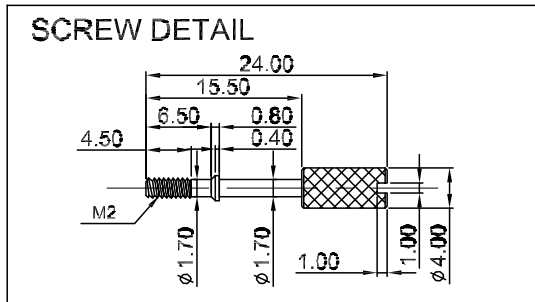
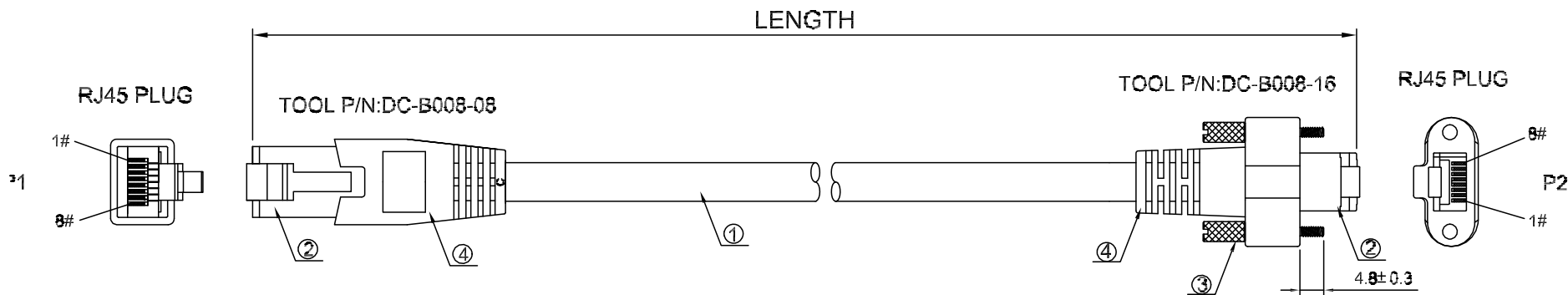


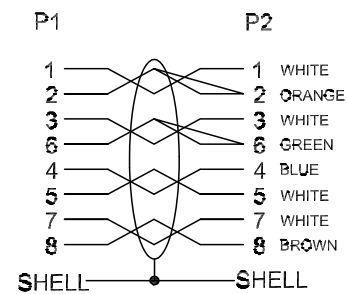
1	2	3	4	5	6	7	8				
THIS DRAWING AND THE DATA DISCLOSED HEREIN OR HEREWITH IS NOT TO BE REPRODUCED USED OR DISCLOSED IN WHOLE OR IN PART TO ANYONE WITHOUT THE PERMISSION OF JESS-LINK PRODUCTS CO.,LTD.(JPC)				CUSTOMER DRAWING DRWC-XXXXXX		REV.	ECN NO.	DESCRIPTION	MDF'D	APP'D	DATE
						01		INITIAL DESIGN	Philip	Richard	07/12/2023
						02					
						03					

A



PART NO.	LENGTH
PZBMLJ050-0001	5000±50

PIN ASSIGNMENT



NOTES:
 1. PIN ASSIGNMENT SEE TO WIRE LIST.
 2. ELECTRICAL TEST CONDITION:
 (a). 100% OPEN, SHORT & MISWIRE TEST,
 (b). INSULATOR RESISTANCE: 20 Mohm MIN.
 DC 300V 0.01~0.28Sec.
 (c). CONTACT RESISTANCE: 3~10ohm MAX.

ITEM	QTY	PART NUMBER	DESCRIPTION
4		G0001	ALL CONNECTORS OVERMOLD BLACK PVC.
3	2	C0332	SCREW:M2 4.0*24.0MM NICKEL PLATED.
2	2	A0650	RJ45 8P8C PLUG WITH SHELL CAT6.
1	1	E0762	SSTP CAT. 6 (26AWG*1PAIR+AM)*4+BRAID OD:6.2MM BLACK PVC JACKET .CSA.

RoHS COMPLIANT	Unit:mm(inch)	PROJECTION	ZCables.com		
	GENERAL TOLERANCES: (UNLESS SPECIFIED)	D.R. 07/12/2023			
	0 =±1 (0.039)	Philip	TITLE	PD./FILE NO.	
	0.0 =±1.5 (0.062)	CH.K 07/12/2023	RJ45 Plug To RJ45 Plug With Dual Screw Lock Camera CAT6 SSTP Cable 5M		
0.000=±.15(0.006)	Philip	SCALE	SIZE	PART NO.	REV. 01
0° =± 2'	APV.D 07/12/2023	1:1	A4	PZBMLJ050-0001	SHEET 1 OF 1
0.0° =± 1"	Richard				

F